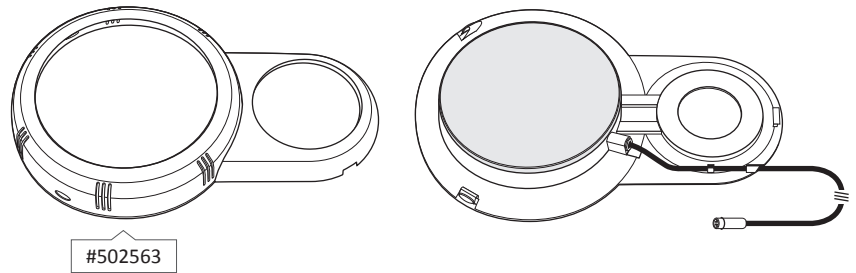
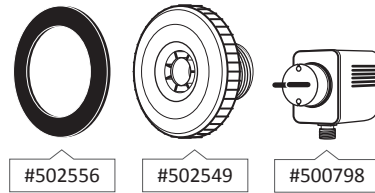


LED PROJECTOR KIT FOR ABOVE GROUND POOL – WHITE LIGHTING

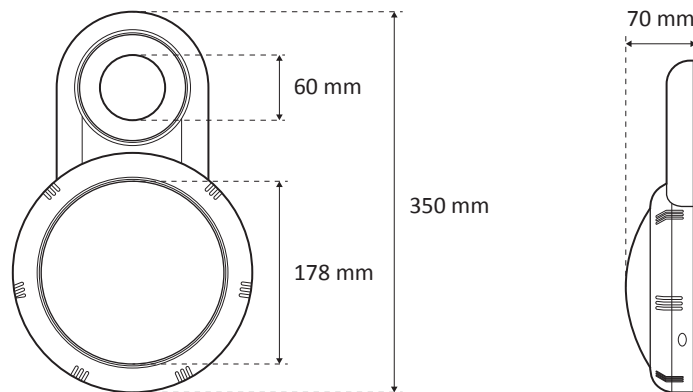


Model : **501498**
 Type : 18 LED Samsung 5630 / 120°
 Color : cold white 6500K
 Control : On/Off
 Functions : N/A
 Material : Fixture and lens in polycarbonate (PC), cover in ASA
 Fixing on 1,5" outlet fitting
 ~230V/~12V – 20VA plug transformer
 6m HO5RNF cable 2x1mm²
 HS code : 9405421000
 Bar code : 3700450501498

CONTENTS OF THE PACKAGING



DIMENSIONS



PACKING

Part Number	Box	Weight	Size	Carton	Weight	Size	Pallet	Weight	Size
501498	1U	2,35kg	38x38x9,5cm	6U	14,6kg	54x40x40cm	150U	366kg	100x120x220cm

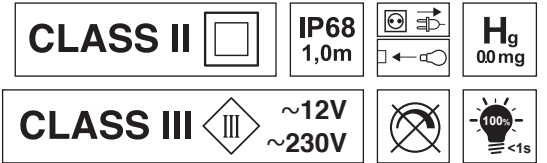
PHOTOMETRY

Ra (IRC) : 83
 Beam angle : 120°
 Nominal luminous flux : 1000 lumens max.
 Extractable light source : PHSW-LED
 Light source energy class : E
 This swimming pool luminaire contains an extractable LED light source of type PHSW-LED and energy class (E)

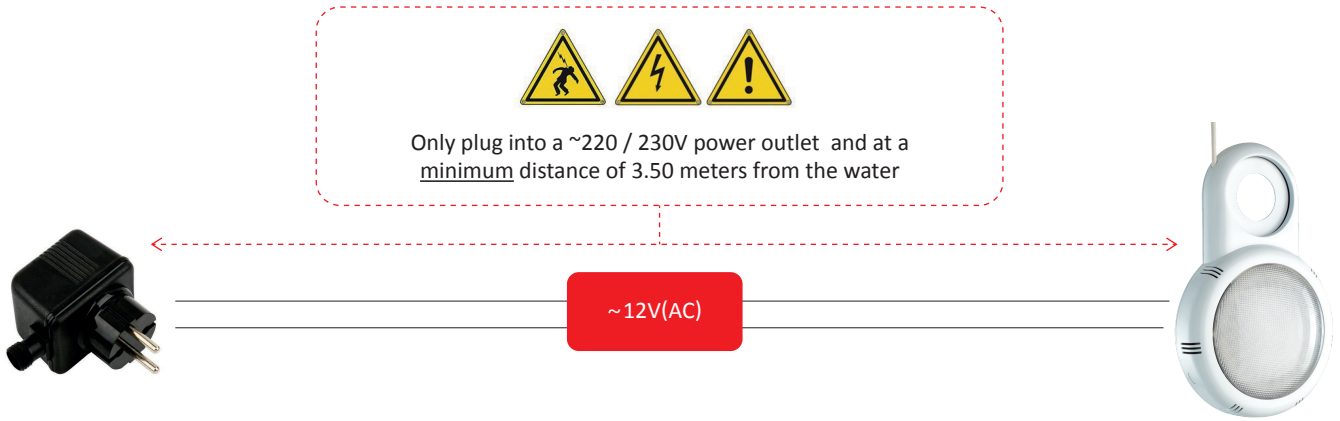


ELECTRICAL PARAMETERS

Instant power max : 14W
 Input voltage : ~12V(AC) 50/60Hz
 PF max : 0,8
 Mini power supply with ~12V(AC) [(Pi /PF)+20%] : 20VA
 Classe électrique : III

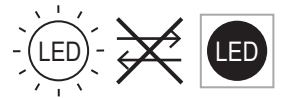


CONNECTION



OTHER PARAMETERS

Protection index : IP68
 LED life span : 15 000h
 On/Off cycles : > 100 000
 Use : This pool light is designed for use in permanent immersion in water with a IP68 waterproof rating. The spin welding assembly process of the optical part with its support, does not allow its reparability. The light source is not replaceable and in case of failure, it is necessary change all the luminaire.



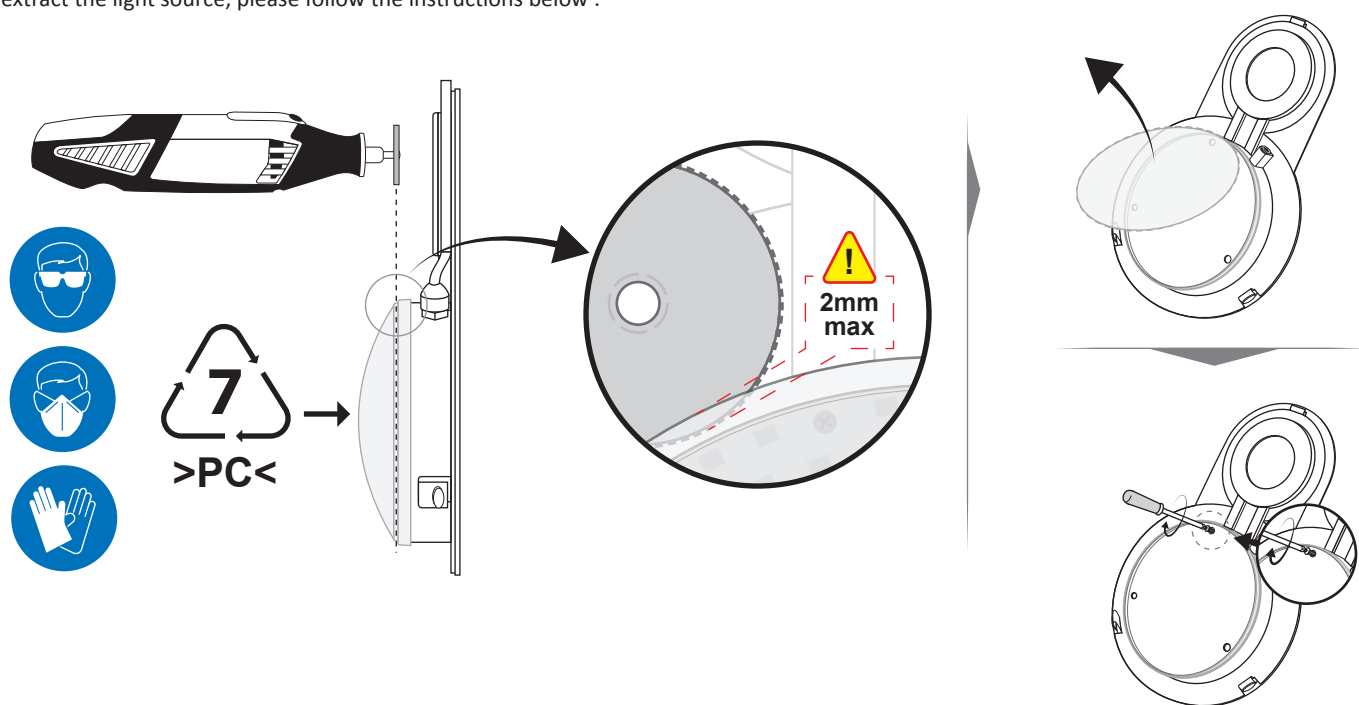
CERTIFICATION

EMC 2014/30/EU Directive.
 LVD 2014/35/EU Directive.
 EN60598-1 / EN60598-2-18 Norm in all its modifications.
 EMC Regulations 2016 (UK).
 Electrical Equipement Regulations 2016 (UK).

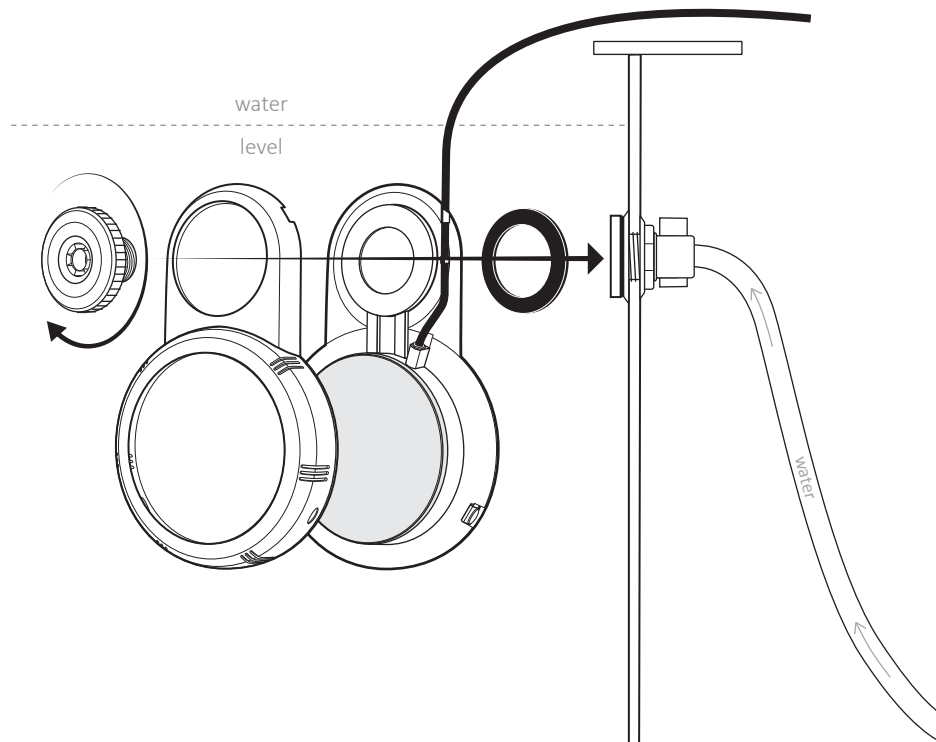


VARIOUS

To extract the light source, please follow the instructions below :



PRINCIPLE OF INSTALLATION



For more information, see the product leaflet