

FREEFLO™

HIGH PERFORMANCE PUMPS

THE PERFECT CHOICE FOR ALL TYPES OF POOLS

The FreeFlo was specifically designed to be your best choice for a variety of above-ground and in-ground pool applications. Thick walled body parts, a heavy duty motor, and highly engineered hydraulics make this rugged and tested design perfect for any pool. The new FreeFlo is a mono-block design allowing it to run more silent and requiring less footprint space. FreeFlo is a drop in replacement for the Leisuretime and Pantera pump series.

KEY FEATURES:

- Self priming pump with prefilter for swimming pools
- Mono Block design for silent operation
- Single Piece, see-through Cam and Ramp™ lid for inspection of strainer basket and easy cleaning and maintenance access
- Large long life HDPE basket to hold debris, easy to clean
- Heavy duty, thermally protected TEFC (TEFC : Totally Enclosed Fan Covered) motor IP55
- 40mm (1-1/2") Slip / 50mm (2") spigot, swivel type barrel unions for easy connection.
- Discharge is 90° rotatable

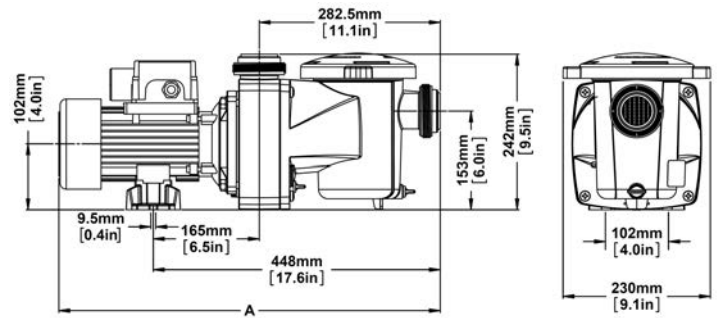
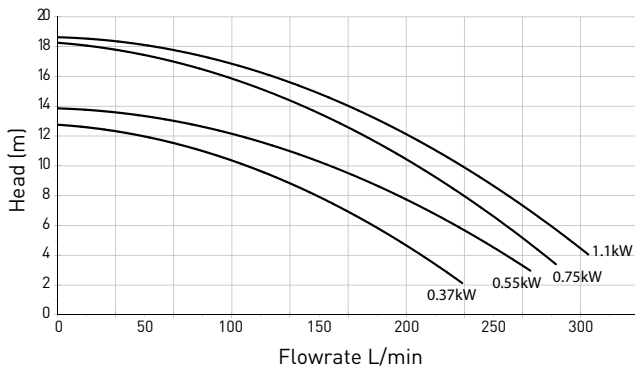


FREEFLO™

HIGH PERFORMANCE PUMPS



Dimensions and Performance



A: 375W = 542mm 550W = 560mm
750W = 560mm 1100W = 600mm

Specifications

MODEL	NOMINAL POWER		INPUT POWER, P1	PUMP POWER, P2	VOLTAGE	PHASE	FULL LOAD CURRENT	CAP	WEIGHT	CARTON DIMENSIONS
FFL-051-AU	375W	1/2hp	540W	375W	220-240V	1~	2.5A	12uF	10.5kg	64x24x32cm
FFL-071-AU	550W	3/4hp	735W	550W	220-240V	1~	3.2A	20uF	11.5kg	64x24x32cm
FFL-101-AU	750W	1hp	995W	750W	220-240V	1~	4.5A	20uF	12.5kg	64x24x32cm
FFL-151-AU	1.1kW	1.5hp	1200W	900W	220-240V	1~	5.3A	25uF	14.5kg	64x24x32cm

Warranty - 3 Years Limited Warranty. See warranty terms and conditions for full details.



au.sales@pentair.com
www.pentairpool.com.au

AVAILABLE FROM:

Automation / Filters / Filter Systems / Pumps / Heat Pumps / Cleaners / White Goods / Lighting / Sanitizers / Salt Chlorinators / Dosing and Measuring Equipment / Maintenance Accessories / Water Features